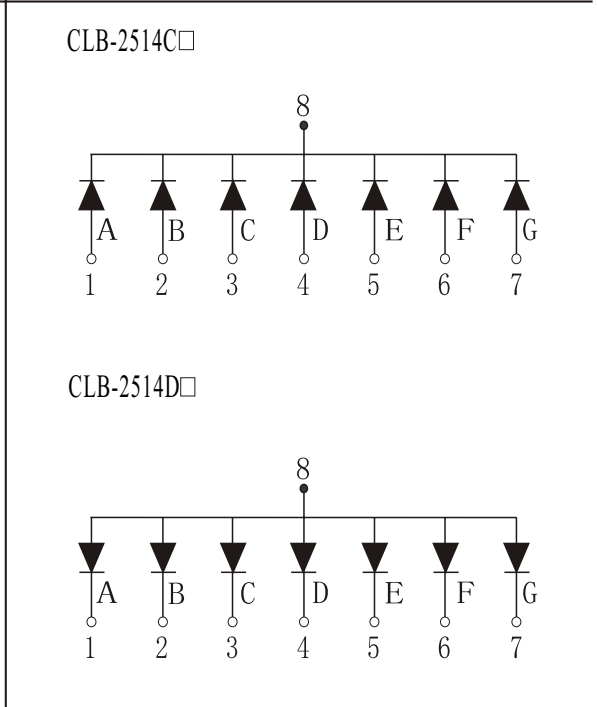
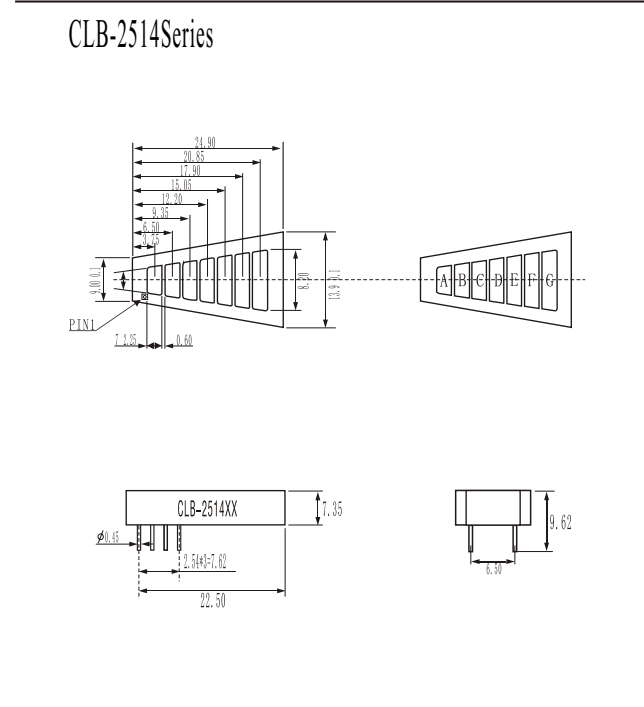
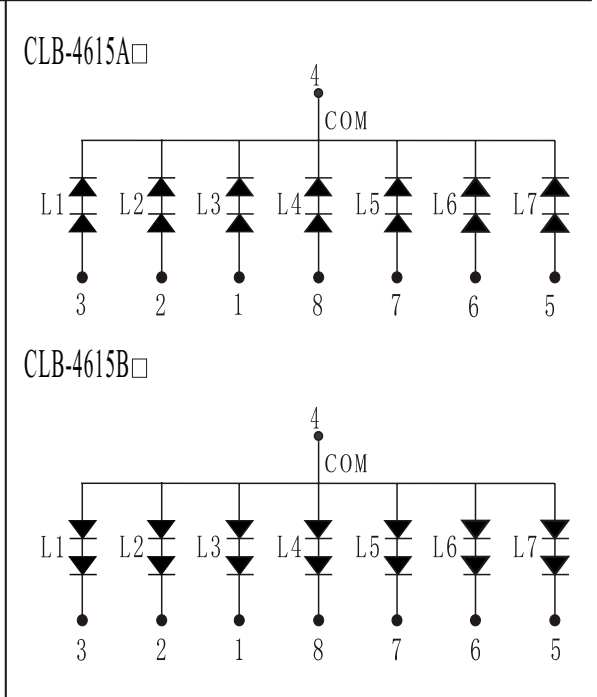
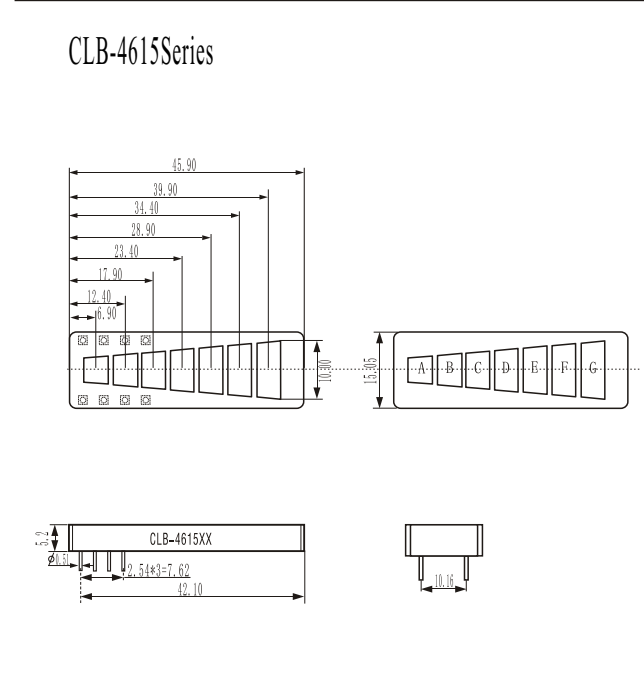


Part No.	LED Chip (Ta = +25°C)				
	Material	Emitted Color	λ_P (nm)	If = 20mA	
				Typ.	Max.
				Vf(V)	Iv(mcd)
				Typ.	Typ.



CLB-2514△E	GaAsP/GaP	Orange	610	2.0	2.4	10
CLB-2514 G	GaP	Yellow Green	568	2.2	2.6	11
CLB-2514 S	GaAlAs/GaAs	High-Red	660	1.8	2.3	11
CLB-4615△E	GaAsP/GaP	Orange	610	2.0	2.4	10
CLB-4615 G	GaP	Yellow Green	568	2.2	2.6	11
CLB-4615 S	GaAlAs/GaAs	High-Red	660	1.8	2.3	11



Remark : 1. “△” represents Internal Circuit Feature: A、C、E...Common Cathode, B、D、F...Common Anode.
 2. “□” represents LED Emitted Color.
 3. All dimensions are in millimeters(inches), tolerance is ± 0.25mm(0.01") unless otherwise noted.
 4. All the products are RoHS-compliant.
 5. Supplier will reserve authority on material change for above specification.